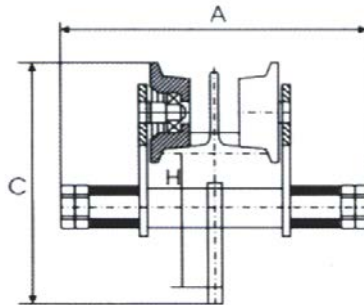
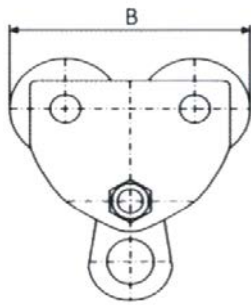
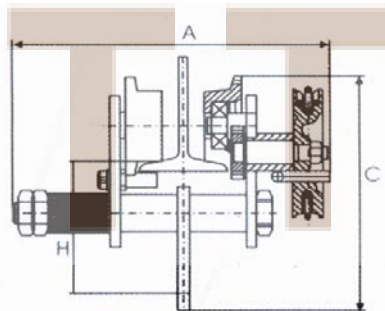
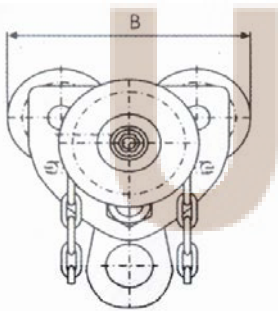


GCT610 Series Plain Trolleys



Model		KT-P 0.5	KT-P 1	KT-P 2	KT-P 3	KT-P 5
Rated load (tons)		0.5	1	2	3	5
Test load (tons)		0.75	1.5	3	4.5	7.5
Dimensions (mm)	A	208	220	260	285	338
	B	172	206	240	279	318
	C	190	222	267	319	384
	H	108.5	122	132.5	181	219
I-Beam recommended		75-125	75-125	100-150	125-175	125-175
Net weight (kg)		5	7	13	20	44

GCT610 Series Geared Trolleys



Model		KT-G 1	KT-G 2	KT-G 3	KT-G 5
Rated load (tons)		1	2	3	5
Standard lift (m)		3	3	3	3
Test load (tons)		1.5	3	4.5	7.5
Dimensions (mm)	A	220	260	285	338
	B	206	240	279	318
	C	222	267	319	384
	H	122	132.5	181	219
I-Beam recommended		75-125	100-150	125-175	125-175
Net weight (kg)		13	17	25	50